

## AE-VD2501A-A Four-way Monitoring System



Four-way Monitoring System consists of 1 LCD and 4 cameras. It is mounted on the vehicle body by the bracket and screws included in the package, and the products are connected to each other using the standard extension cable. With built-in 64G TF card, the video data will be stored automatically without any operation. Four-way Monitoring System is a vehicle-monitoring product used to solve the problem of blind spot, through the access of 4-way 1080P camera, realize the real-time monitoring around the vehicle. Drivers can easily judge the situation by observing the monitoring screen. Four-way monitoring system supports high-definition video monitoring, multiple screen display and other humanized functions. The product can be widely used in vehicles, muck trucks, freight vehicles, special vehicles and so on, to meet the vehicle blind spot monitoring requirements.

- Supports access to 4-way 1080P cameras.
- Supports recording overwrite.
- Supports single-channel, dual-channel, four-channel and other display modes.
- Easy installation and operation.
- Supports external DC 9V-36V.
- Supports switching to the rearview camera when reversing.
- Supports low power consumption mode and continue to record when the vehicle power supply is stopped.
- Standardly equipped with 64G TF card from Hikvision.

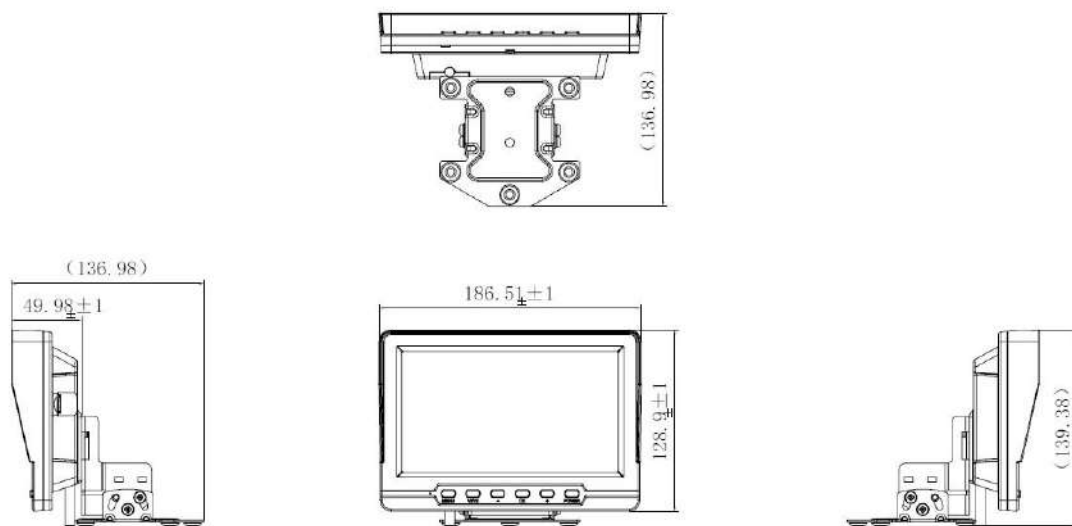
## ▪ Specification

Camera	
Resolution	1920 × 1080
Min. Illumination	0.1 Lux @ (F1.2, AGC ON)
Case Type	Square camera
Lens	
FOV	Horizontal: 103°, Vertical: 55°
Image	
Day/Night Switch	Color
Interface	
Local Storage	Support video storage Support video recording overwrite
SD Card Storage	Supports up to 512G TF card from Hikvision
Communication Interface	Screen: 4 4-core aviation head interfaces, support for 4-way 1080p camera access 3 IO input interfaces, support access to left turn, right turn, reverse signal 1 TF card slot, support access to a single TF card Camera: 4-core aviation head interface
General	
Product Dimension	Screen: 186.51mm*139.38mm*136.98mm (with bracket) Camera: 65.00mm*43.00mm*37.86mm (with bracket)
Power	1.35A MAX
Power Supply	DC 9V-36V
Power Consumption	12W MAX
Protection	Camera: IP68
Language	English
Cable Length	Screen: 2700mm Camera: 480±50 mm (without connector)
Accessory	Standard with 1 screen mounting bracket with screws; Standard with 1 x 64G TF card; Standard with 4 x 1080P cameras comes with bracket and mounting screws; Standard with 3 x 5-meter camera extension cables; Standard with 1 x 15 meter camera extension cable;
Operating Temperature	-20°C~+70°C (-4°F~158°F)
Operating Humidity	10%~80%
Preview	
Preview	Support quick display image at power on Support multi-channel display Support multiple display modes
Playback	
Playback	Support video playback directly on the screen
Parking monitoring	
Parking monitoring	Support parking monitoring after the vehicle is turned off

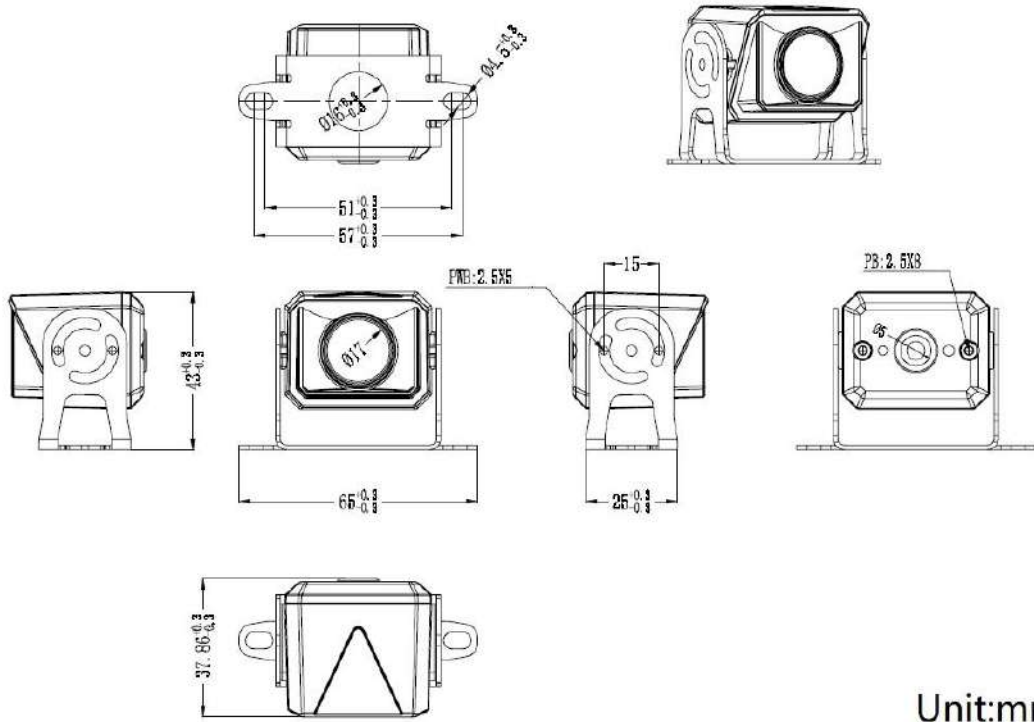
Screen	
keys	6 buttons, support menu, edit, previous, confirm, next, and rest
Screen	
Size	7",LED
Screen	
Display Resolution	1024 × 600
Brightness	250-350cd/m2, adjustable

▪ **Available Model**

▪ **Dimension**



Unit:mm



Unit:mm

**Headquarters**

No.555 Qianmo Road, Binjiang District,  
Hangzhou 310051, China  
T +86-571-8807-5998  
www.hikvision.com



Follow us on social media to get the latest product and solution information.

